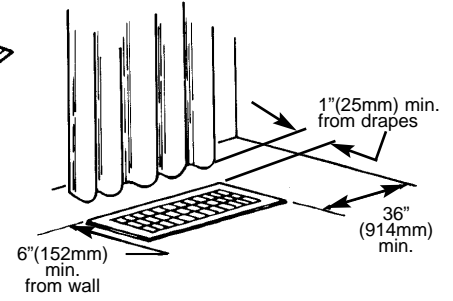
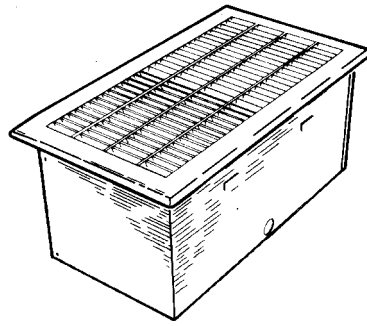




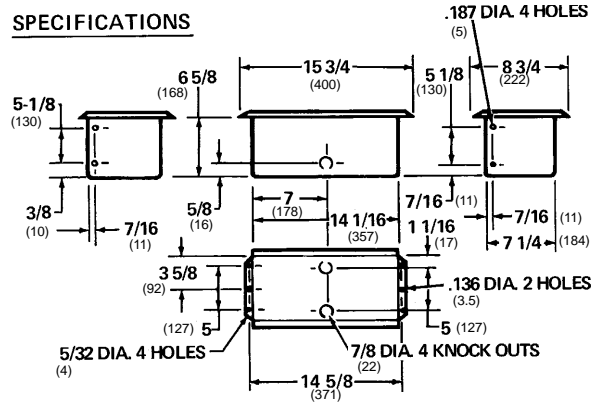
Marley
Engineered Products



FILE #E21609



SPECIFICATIONS



Cat. No. I1500 & I1504
Floor Drop-In Space Heater

Installation & Maintenance Instructions

Dear Owner,

Congratulations! Thank you for purchasing this new heater manufactured by a division of Marley Engineered Products. You have made a wise investment selecting the highest quality product in the heating industry. Please carefully read the installation and maintenance instructions shown in this manual. You should enjoy years of efficient heating comfort with this product from Marley Engineered Products... the industry's leader in design, manufacturing, quality and service.

*... The Employees of
Marley Engineered Products*



WARNING

Read Carefully - These instructions are written to help you prevent difficulties that might arise during installation of heaters. Studying the instructions first may save you considerable time and money later. Observe the following procedures, and cut your installation time to a minimum.

To reduce risk of fire or electric shock:

1. Disconnect ALL power coming to heater at main service panel before wiring or servicing. Make sure power is off when installing heater assembly into backbox.
2. All wiring must be in accordance with National and Local Electrical Codes and the heater back box must be grounded.
3. Verify the power supply voltage coming to the heater matches the rating printed on the heater nameplate before energizing.
4. This heater is NOT suitable for use in hazardous locations as described by the NFPA. This heater has hot and arcing or sparking parts inside. DO NOT use in areas where gasoline, paint or other flammable liquids are used or stored.
5. This heater is hot when in use. Keep electrical cords, drapery, foam filled articles, bedding, and other furnishings away from heater. DO NOT install this heater in a manner where the hot discharge air is blowing directly on any items that may be damaged by heat such as plastics or clear vinyls. The heat from the heater could cause discoloration to these materials if their temperature rating is less than 150°F (65°C).
6. This heater is intended for installation into the floor ONLY. DO

- NOT install in wall, ceiling or in any manner where air flow through heater may be obstructed. DO NOT install heater without enclosure. DO NOT install side of heater closer than 6" (152mm) to wall or end of heater closer than 36" (914mm) to wall.
7. DO NOT operate the heater without the grille installed. Grille must be secured with the two screws provided to prevent unintentional removal.
 8. This heater is NOT intended for use in wet locations where heater could become soaked with water.
 9. DO NOT insert or allow foreign objects to enter any heater openings as this may cause an electric shock, fire, or permanent damage to heater
 10. Since this heater is intended for floor installation, it is more likely to become dirty and require routine maintenance. It is recommended that the heater be cleaned and serviced at least annually. Failure to keep heater clean could result in a fire or premature heater failure.
 11. This heater is provided with an alarm (buzzer or warning light) that will sound (or illuminate) if the heater is overheating. This is intended to alert the user of the hazard and initiate action by the user to correct the abnormal condition that exists. DO NOT continue to use the heater if the alarm is sounding (or light is on). The repeated cycling of the alarm indicates the heater is in need of cleaning and/or servicing.

SAVE THESE INSTRUCTIONS

GENERAL INSTRUCTIONS

When installing the heater(s) as draft barriers below windows it is recommended that the heater(s) capacity be matched to the heat loss of the glass area. Also, the heat spread of each heater is about 5 feet (1524mm) so for continuous draft control heaters should be mounted 5 feet (1524mm) apart.

When using the heater(s) as the sole source of heat in the room, the capacity of the heater(s) should match the heat loss of the room. For good room temperature control, a Marley wall thermostat mounted on an inside wall is recommended.

To prevent discoloration of some synthetic drapery materials and to avoid undue wall discoloration, the side of the heater should be at least 1 inch (25,4mm) from the drapes nearest fold and the end of the heater should be no closer than 3 feet (914mm) to the wall (See specifications and Warning No. 6).



WARNING



YOUR HEATER IS PROVIDED WITH AN ALARM (BUZZER OR WARNING LIGHT) THAT WILL SOUND OR ILLUMINATE IF THE HEATER IS OVERHEATING FOR ANY REASON. IF THIS OCCURS, TURN DOWN THE THERMOSTAT UNTIL THE ALARM STOPS AND ALLOW THE HEATER TO COOL FOR AT LEAST 30 MINUTES. CHECK TO MAKE SURE THE AIR FLOW THROUGH THE HEATER IS NOT BLOCKED (SEE WARNING 5 AND 6 ON PAGE 1) AND THEN TURN THE THERMOSTAT BACK TO THE DESIRED TEMPERATURE. IF THE ALARM CONTINUES TO CYCLE, DISCONTINUE USING HEATER, TURN OFF THE POWER TO THE HEATER AT THE CIRCUIT BREAKER PANEL AND HAVE THE HEATER CHECKED BY A QUALIFIED SERVICE PERSON.

ENCLOSURE INSTALLATION IN WOOD FLOORS

1. Provide a hole 7-3/8" by 14-1/4" (187mm by 362mm) in floor at least 6" (152mm) from the wall with the longest side parallel to the wall as shown in Figure 1.
2. Insert the enclosure into the opening and secure with four nails.

NOTE: Enclosure may be installed with flanges flat against the floor and the floor covering between the grille and enclosure flange, provided the floor covering is no thicker than 3/4" (19,1mm) and is trimmed to prevent any portion of it from extending past the flange and into the enclosure.

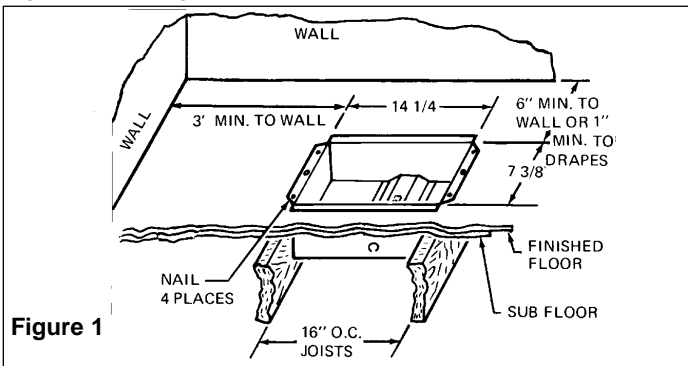


Figure 1

WIRING NOTICE

This heater is NOT provided with built-in power disconnect switch. To comply with the 1993 National Electrical Code (Section 424-19 and 424-20) the following options are available:

1. The room thermostat used to control this heater must be either a double pole, positive off design that will de-energize all ungrounded conductors when in the "Off" position, or
2. The main disconnect service panel must be located within sight of the heater, or
3. The disconnecting means must be able to be locked in the open position.

WIRING THE ENCLOSURE

(See Warning No. 2)

1. Bring supply wire into desired knockout, leaving 6" (152mm) of leads extending into the enclosure as shown in Figure 2.
- NOTE:** Wiring compartment volume - 15in³ (244cm³)
2. Secure the ground lead to the ground screw on the bottom of the enclosure.
 3. For Model I1500, connect the white (neutral) supply lead to the white receptacle lead and the black line supply lead to the black receptacle lead as shown in Figure 2. (See also wiring diagram shown in Figure 5). For I1504 connect the two black supply leads to the two black receptacle leads. (See wiring diagram shown in Figure 5.)
 4. Install junction box cover as shown in Figure 2.

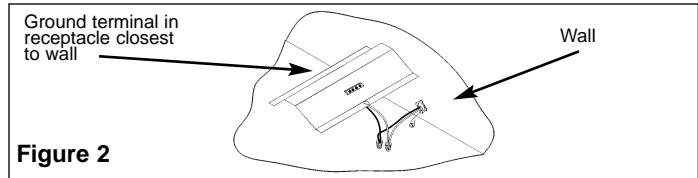


Figure 2

ENCLOSURE INSTALLATION IN SLAB FLOORS

For installation in slab floors, Concrete installation Kit FDI-AC-1415 is required and must be ordered separately.

1. Secure the two stakes to the diagonally opposite corners of the enclosure with the nuts and bolts furnished.
2. Drive the stakes into the subgrade to support the enclosure at the required location (at least 6" (152mm) from wall) with the level with the grade of the finished concrete slab (see Figure 3).
3. Bring conduit into the desired knockout and wire as described above in wood floor installation.
4. Secure the temporary cover pan with the two screws provided and cover the screw threads with the tubing provided.
5. Before pouring concrete, place waterproof paper between the subgrade and enclosure to protect it from moisture.
6. After the slab has set and before installing heater assembly, remove the two screws and cover pan and discard.

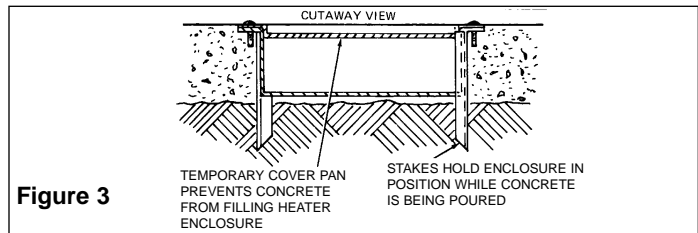


Figure 3

TO REDUCE WATTAGE

The heater wattage may be reduced from 1500W to 750W by removal of two (2) red jumpers.

HEATER ASSEMBLY INSTALLATION

NOTE: For units with built-in thermostat, the temperature sensing bulb must be located on the side of the heater closest to the wall for most efficient operation.



CAUTION



TO PREVENT A POSSIBLE ELECTRIC SHOCK, BE SURE POWER TO HEATER IS OFF AT MAIN DISCONNECT PANEL BEFORE INSERTING HEATER INTO ENCLOSURE.

Slide heater assembly into the enclosure part way so the plug can be inserted into receptacle in junction box cover. After plug is fully inserted into receptacle, push heater down in position and secure with two (2) screws provided. (See Figure 4)

GRILLE INSTALLATION

1. If a floor covering is installed after the enclosure is installed, make certain it does not extend past the edges of the enclosure. (See "Enclosure Installation In Wood Floors" Note).
2. Place the grille over the enclosure and secure with the two painted screws provided as shown in Figure 4. (See Warning No. 7).

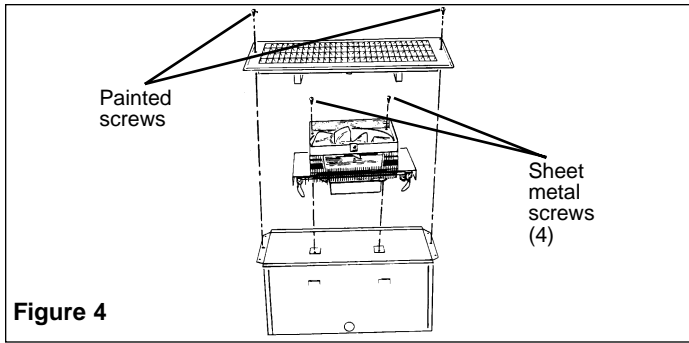


Figure 4

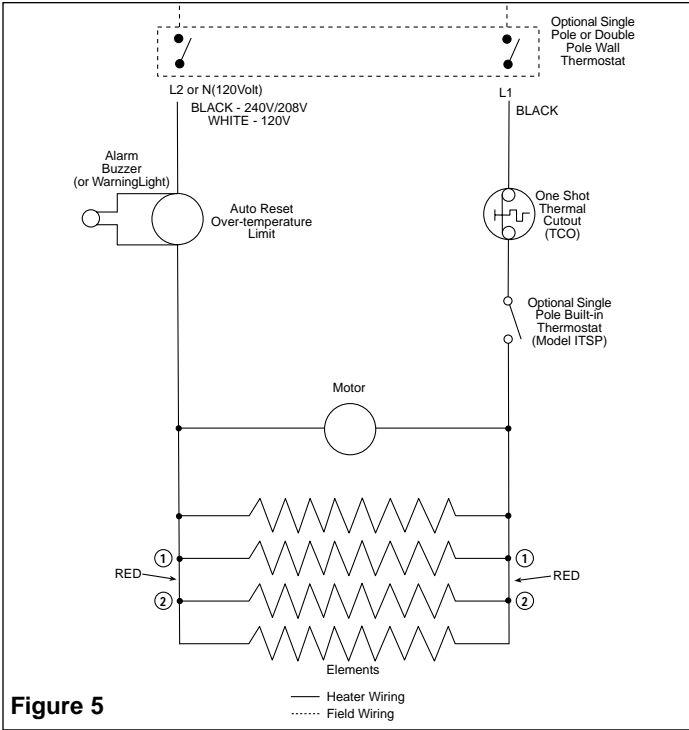


Figure 5

IMPORTANT INFORMATION

MAINTENANCE

TO CLEAN HEATER: The heater should be cleaned annually for maximum efficiency. Before cleaning be sure power is off and heater is cool. Remove grille and clean fan using a vacuum cleaner with a brush attachment. The grille may be cleaned with a slightly damp rag if desired.

OPERATIONAL NOTICE

Your heater is equipped with an automatic reset limit control that will automatically turn the heater OFF to prevent a fire if the heater overheats. If the heater overheats, an alarm buzzer (or light on some models) will sound (or light will illuminate on some models) until the heater cools and the limit resets.

CAUTION

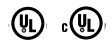
THE ACTIVATION OF THE ALARM BUZZER (OR LIGHT) SIGNIFIES THE HEATER HAS BEEN SUBJECTED TO SOME ABNORMAL CONDITION CAUSING IT TO OVERHEAT. CHECK HEATER TO INSURE THAT IT HAS NOT BEEN BLOCKED IN ANY MANNER (IF SO, REMOVE BLOCKAGE). IF THERE IS NO INDICATION OF BLOCKAGE IT IS RECOMMENDED THE HEATER BE CHECKED BY A REPUTABLE ELECTRICIAN OR REPAIR SERVICE TO INSURE THE HEATER HAS NOT BEEN DAMAGED.

In addition to the Automatic control your heater is provided with a back up one shot thermal cut-out (TCO). This safety control will open only if the automatic control fails to maintain safe temperatures. If this control operates, your heater must be serviced by a qualified electrician

NAMEPLATE

MODEL NO. I1500	DATE CODE 0997
FAN FORCED FLOOR INSERT HEATER	
120 VOLTS AC	1500/750 WATTS
	12.5/6.3/ AMPS

USE ONLY WITH I SERIES ENCLOSURE. DO NOT OPERATE WITHOUT GRILLE IN PLACE.



MARLEY ENGINEERED PRODUCTS
BENNETTSVILLE, SC 29512

774G LISTED
ROOM HEATER
4104-2206-000

LIMITED WARRANTY

All products manufactured by Marley Engineered Products are warranted against defects in workmanship and materials for one year from date of installation, except heating elements which are warranted against defects in workmanship and materials for five years from date of installation. This warranty does not apply to damage from accident, misuse, or alteration; nor where the connected voltage is more than 5% above the nameplate voltage; nor to equipment improperly installed or wired or maintained in violation of the product's installation instructions. All claims for warranty work must be accompanied by proof of the date of installation.

The customer shall be responsible for all costs incurred in the removal or reinstallation of products, including labor costs, and shipping costs incurred to return products to Marley Engineered Products Service Center. Within the limitations of this warranty, inoperative units should be returned to the nearest Marley authorized service center or the Marley Engineered Products Service Center, and we will repair or replace, at our option, at no charge to you with return freight paid by Marley. It is agreed that such repair or replacement is the exclusive remedy available from Marley Engineered Products.

THE ABOVE WARRANTIES ARE IN LIEU OF ALL OTHER WARRANTIES EXPRESSED OR IMPLIED. AND ALL IMPLIED WARRANTIES OF MERCHANTABILITY AND FITNESS FOR A PARTICULAR PURPOSE WHICH EXCEED THE AFORESAID EXPRESSED WARRANTIES ARE HEREBY DISCLAIMED AND EXCLUDED FROM THIS AGREEMENT. MARLEY ENGINEERED PRODUCTS SHALL NOT BE LIABLE FOR CONSEQUENTIAL DAMAGES ARISING WITH RESPECT TO THE PRODUCT, WHETHER BASED UPON NEGLIGENCE, TORT, STRICT LIABILITY, OR CONTRACT.

Some states do not allow the exclusion or limitation of incidental or consequential damages, so the above exclusion or limitation may not apply to you. This warranty gives you specific legal rights, and you may also have other rights which vary from state to state.

For the address of your nearest authorized service center, contact Marley Engineered Products in Bennettsville, SC, at 1-800-642-4328. Merchandise returned to the factory must be accompanied by a return authorization and service identification tag, both available from Marley Engineered Products. When requesting return authorization, include all catalog numbers shown on the products.

HOW TO ORDER REPAIR PARTS

In order to obtain any needed repair or replacement parts, warranty service or technical information, please contact Marley Engineered Products Service Center toll-free by calling 1-800-642-HEAT.

When ordering repair parts, always give the information listed as follows:

1. The Model Number
2. The Part Description
3. Date of Manufacture



Marley
Engineered Products

470 Beauty Spot Rd. East
Bennettsville, SC 29512 USA